

PLC+PoE(AT)+DC 12V/2A Network Transmitter

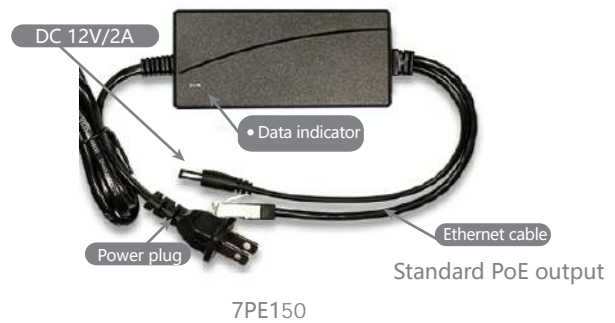
Quick Installation Guide

Packaging Accessories

Note Powerline network adapters and accessories may vary by country and standard.

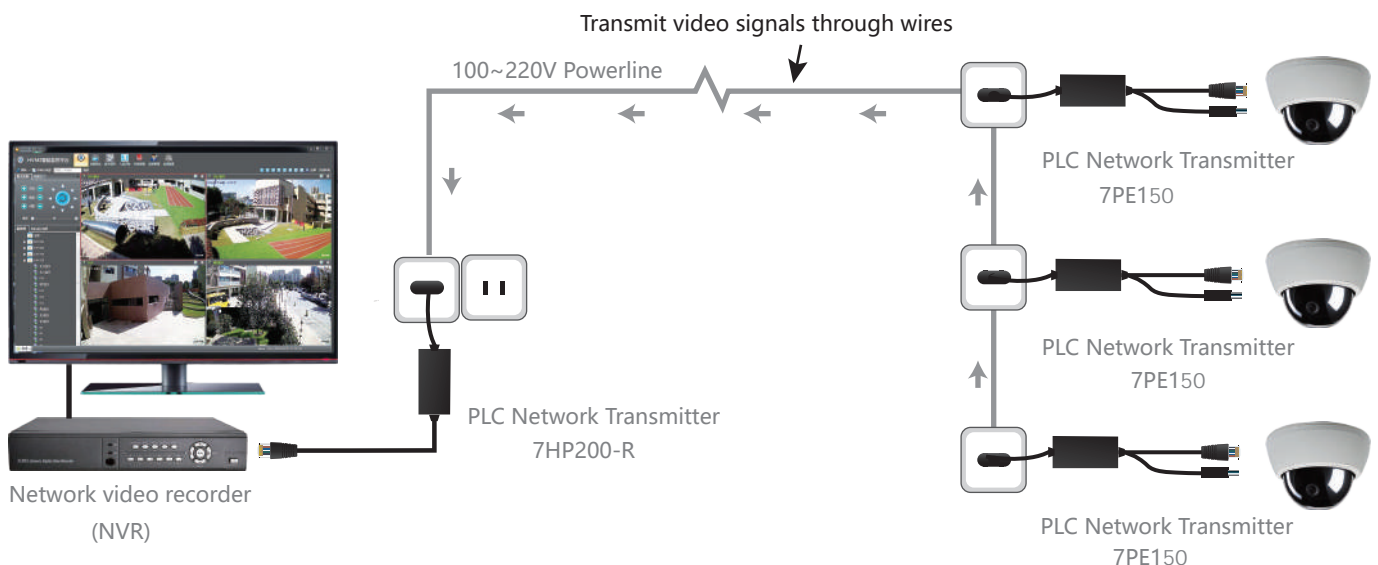
- PLC+PoE Network transport adapter
- Quick Installation Guide

Indicator and product appearance description



Pilot lamp	State	Describe
○ Data Indicator	Off	Did not join the PLC network or did not pair successfully with other adapters
	On	Successfully joined the PLC network group or paired with other adapters

Product Connection Example Diagram



※ After completing the connection, the data indicator light lights up, indicating that the connection is normal.

PLC network transmission adapters are widely used in the security monitoring product market. Its main feature is to transmit network video media communication data to wired network devices (such as set-top boxes, surveillance network video recorders, routers, IP cameras, computers, etc.) through existing wires. They create network connections without new network cables.

Kind tips:

- 1.This powerline device is paired by default, plug and play when plugged into a power outlet, no manual pairing required.
- 2.Power line products must be used with at least two or more.