

# 7ZX150- AV600 Ethernet Powerline Adapter With Filter Isolator

# DATASHEET

Ver:V1.0  
Date:2021.8

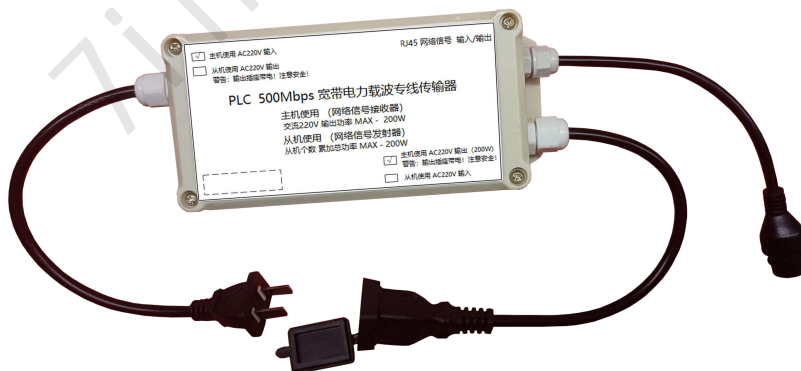
## Introduction:

7ZX150-600Mbps ethernet powerline adapter with filter isolator, its main chipset adopts Atheros design, built-in signal filter isolation module. It has the characteristics of high integration, dedicated line transmission, disconnection with other PLC equipment outside this group, no mutual interference, etc. The outer box has an IP65 protection level, can provide up to 600Mbps powerline physical layer transmission rate, stable and with reliable performance.

After the input power is filtered, 7ZX150 effectively isolates the harmful noise in the carrier frequency range of the power grid, so that the PLC carrier device can achieve a transmission effect similar to that of a dedicated line in a relatively clean environment. Hence it improves the anti-interference ability of the product, and also achieve the purpose of increasing the transmission distance.

7ZX150 filter-isolated powerline transmitter is our standard product for delivery. After filtering, the output current of the power supply is 1A (the output power is about 250W). It can also be customized if a larger current is required.

7ZX150 is also a waterproof type powerline ethernet adapter using dedicated line to transmit. Its main interfaces are: AC220V input plug, AC220V output socket (waterproof), RJ45 network signal socket (waterproof). As shown below:



## Features:

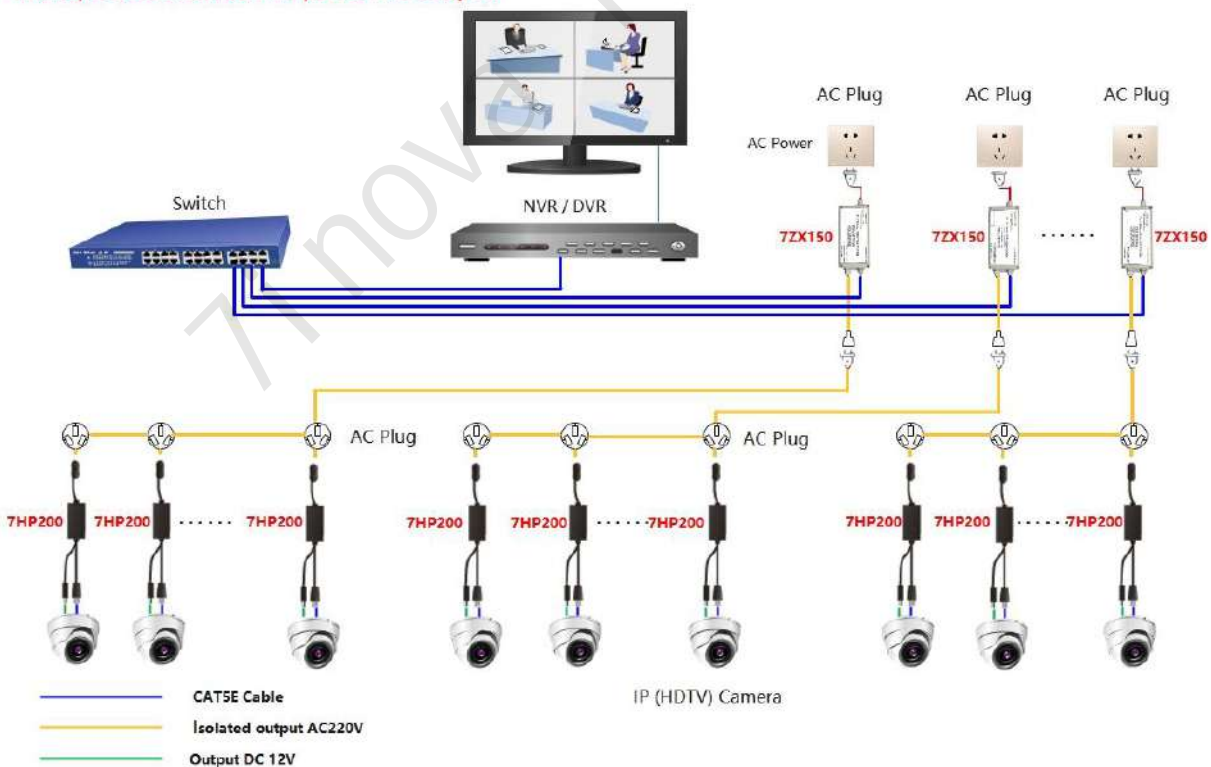
- \*Each group can support up to 14 nodes; it can support multiple groups of PLCs in the same power grid to work online at the same time;
- \*It supports up to 200W AC power output power meanwhile it isolates the load's interference to the PLC transmission signal;
- \*Support IEEE802.3, IEEE802.3u, standards;
- \*Support HomePlug AV, IEEE1901;
- \*Transmit data through the existing power line, providing a transmission rate of up to 600Mbps;
- \*10/100Mbps adaptive Ethernet interface;
- \*Support 500m transmission distance (within the same group of PLC);
- \*Support 128-bit AES encryption to ensure the security of network data transmission;
- \*Support any operating system, including Mac, Linux;
- \*The outer box has IP65 dust proof and waterproof protection grade;

## Typical Application Topology:

7ZX150 transmitter is packed in single. To work normally, it needs be paired with at least any of our other powerline model, or a standard PLC product with a Qualcomm chip. Like below:

### 7ZX150-500Mbps

Waterproof dedicated line powerline adapter



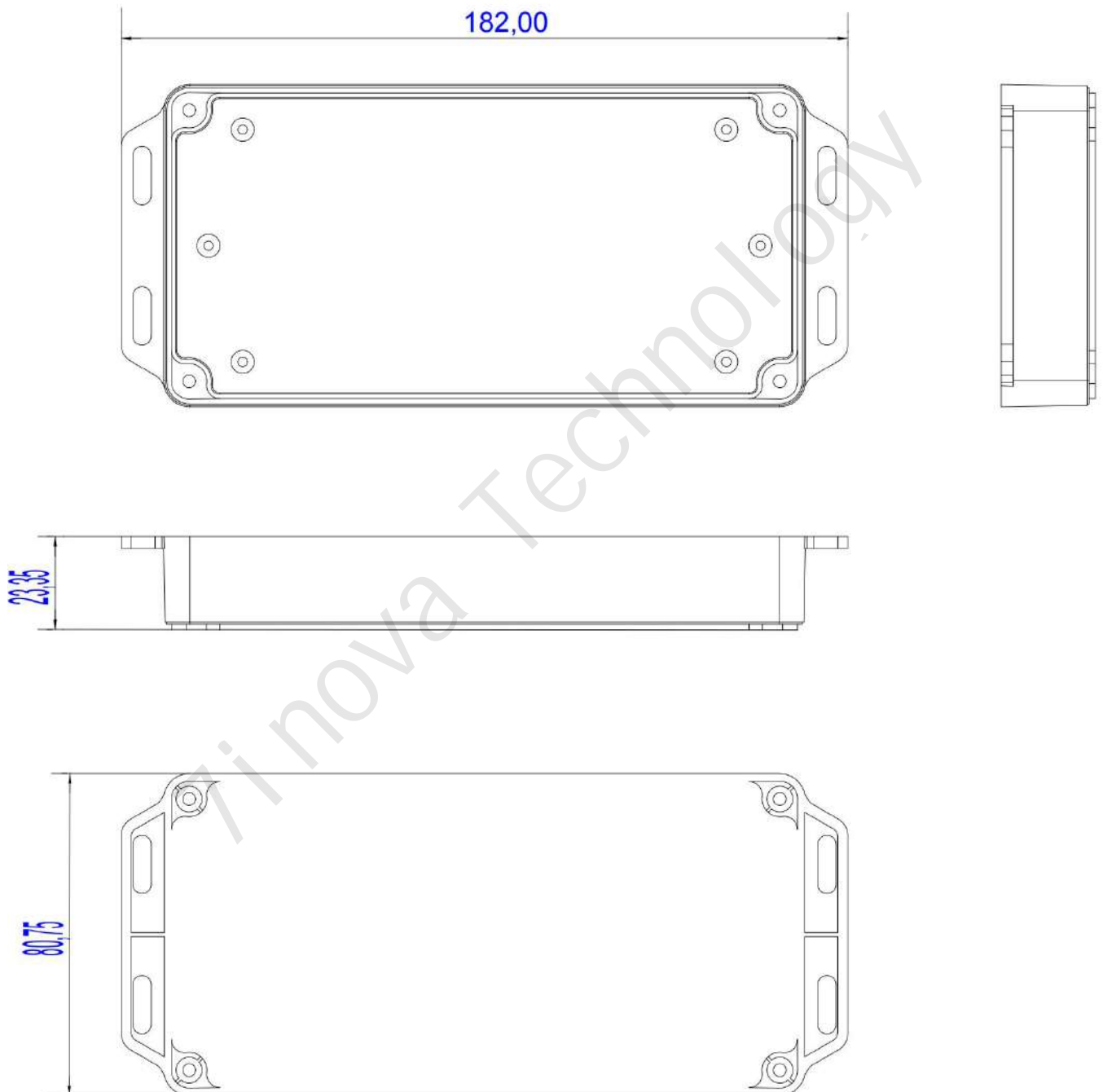
## Typical Interface Definition:



## Electrical Characteristics:

	Min.	Typical	Max.	Unit
Master dedicated line output power	200	200	220	W
Cumulative power of slaves in the same group	\	200	\	W

**Housing Size (mm):**



## Specification:

Hardware Parameters	
Model	7ZX150
Protocol/Standards	HomePlug AV, IEEE 802.3, IEEE 802.3u
Communicate Protocol	TCP/IP, IGMP, CSMA/CA, QoS
Modulation	OFDM (1024/256/64/16-QAM,QPSK,BPSK,ROBO Modulation)
Frequency	2-68MHz
Transmission Rate (PHY)	600Mbps
Interface	AC interface, Ethernet interface, PLC filter interface
Operating System	Windows 98SE/ME/2000/2003/XP/Vista/Windows7/10,Linux,Mac OS
Transmission Distance	500m (Within the same group of PLC)
Coverage	5000 Square Feet
Security	128-bit AES Encryption
Work Voltage/Currency	AC-220V-1A
Power	Normal≤200W
Size	182x80.75x23.35mm (LxWxH)
Weight	200g
Environment	
Working Temperature	0°C~70°C
Storage Temperature	-20°C~70°C
Working Humidity	10%~90%RH(Non-Condensing)
Storage Humidity	5%~90%RH (Non-Condensing)